

IC8 POWER TRAINER

IC-LFIC8C1-02

Parts Manual

8/21/2020 4:56:38 AM

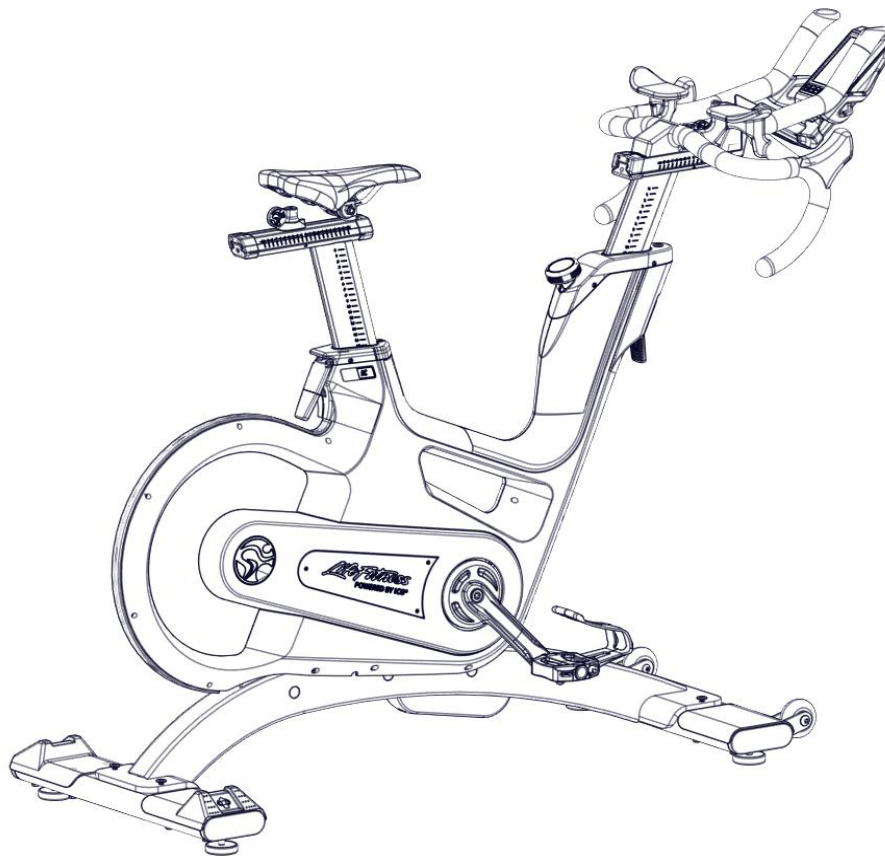
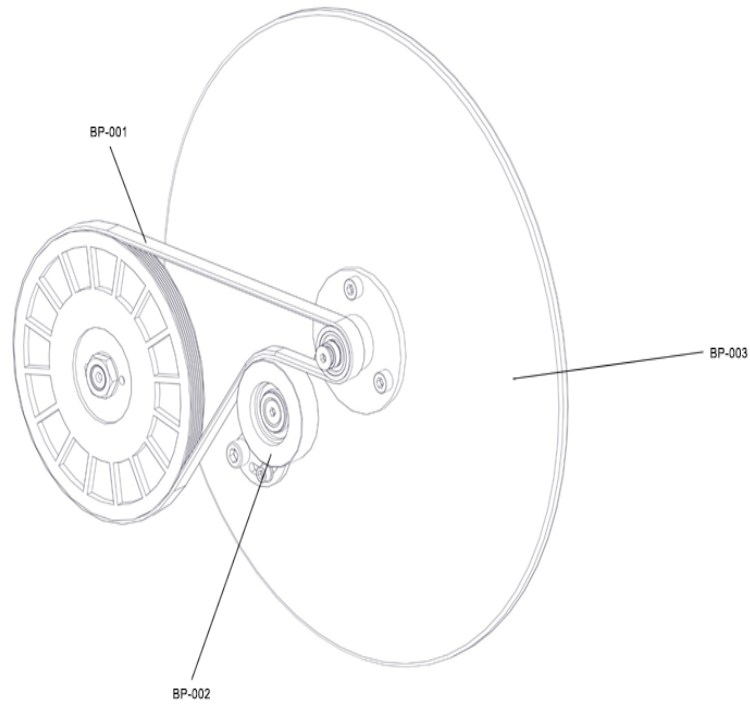


Table of Contents

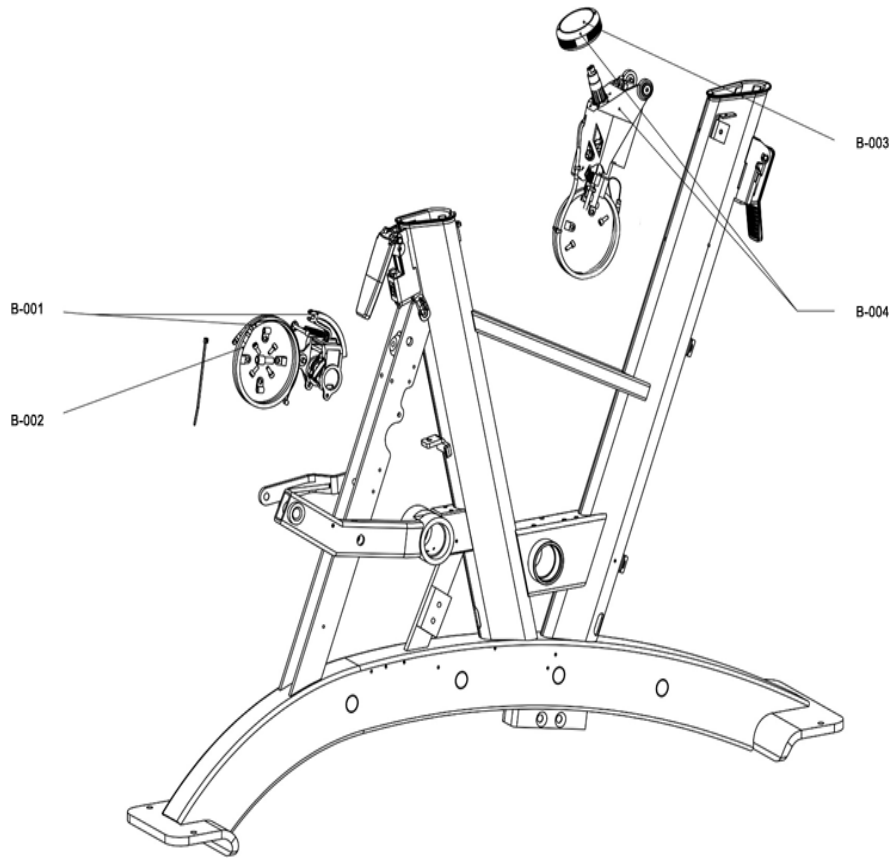
[Belt and Pully](#).....3
[Brake](#).....4
[Drive](#).....5
[Electronics](#).....6
[Frame](#).....7
[Handlebar/Stem](#).....8
[Seat Mechanism](#).....9
[Shroud](#).....10
[Stabilizers](#).....11

Belt and Pully



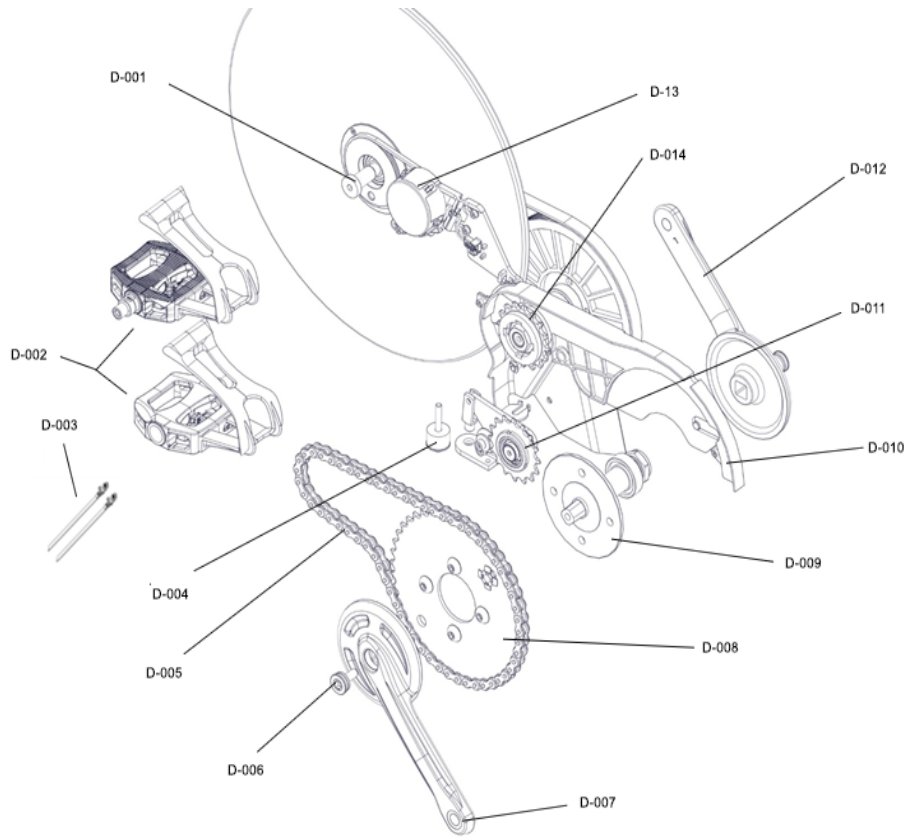
Ref #	Part Number	Qty	Description
BP-001	150-03-00125-01	1	POLY V BELT, RB 6 PJ 864 SECONDARY DRIVE FOR IC8
BP-002	150-01-00105-01	1	SECONDARY DRIVE PLASTIC IDLER PULLEY ASSEMBLY FOR IC8
BP-003	150-01-00112-01	1	FLYWHEEL ASSEMBLY FOR IC8

Brake



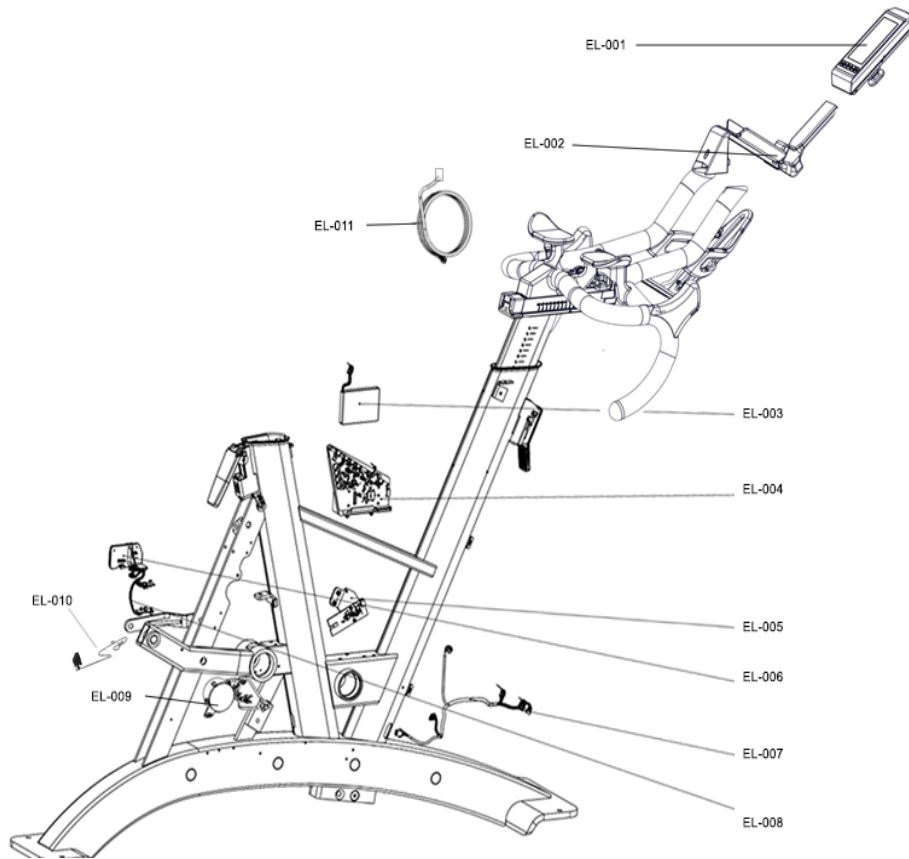
Ref #	Part Number	Qty	Description
B-001	190-01-00081-01	1	MAGNETIC BRAKE ASSEMBLY FLYWHEEL FOR IC8
B-002	190-01-00013-01	1	BOWDEN CABLE, MAGNETIC BRAKE SYSTEM IC5 & IC7
B-003	130-01-00039-01	1	BRAKE DIAL KIT 55MM FOR IC8
B-004	130-01-00038-01	1	COMPLETE UPPER BRAKE ASSEMBLY FOR IC8

Drive



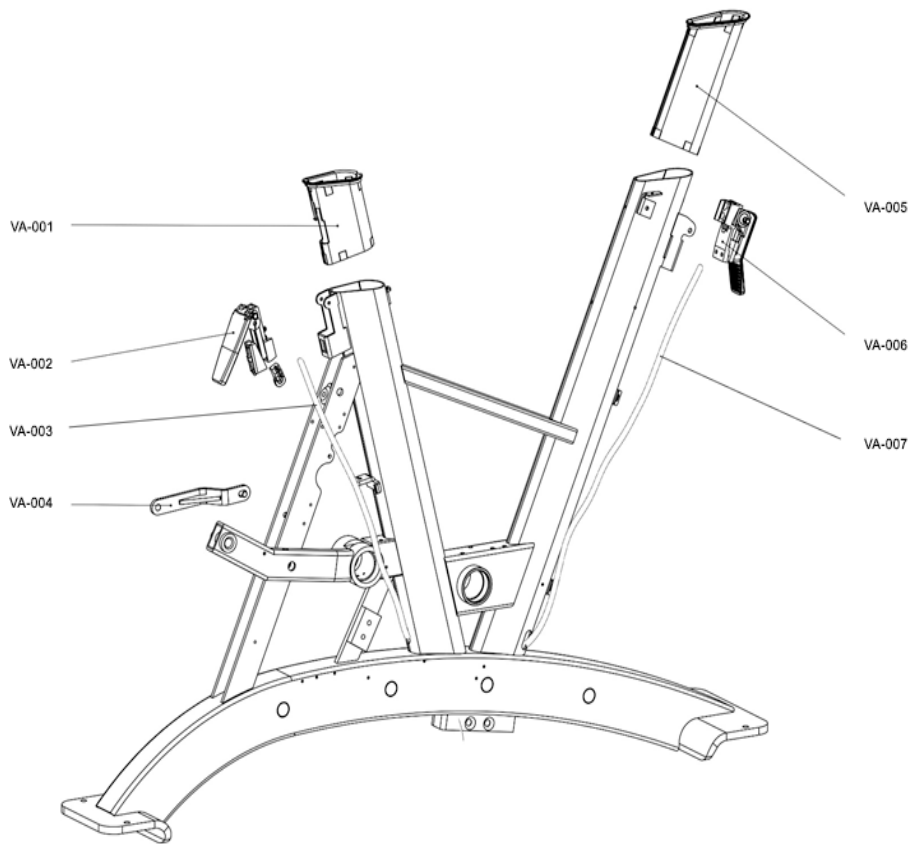
Ref #	Part Number	Qty	Description
D-001	150-01-00082-01	1	FLYWHEEL HUB ASSEMBLY FOR IC8
D-002	150-01-00005-03	1	COMBI PEDAL SET SPD COMPATIBLE
D-003	150-03-00048-01	1	TOE STRAP SET
D-004	150-01-00111-01	1	ATTENUATOR INCL. ADJUSTMENT BOLT FOR IC8 AND FWS IC7 STUDIO
D-005	150-02-00018-01	1	CHAIN 1/2" X 3/16" FOR IC8 AND IC7 FWS STUDIO
D-006	900-00-90008-20	1	CRANK MOUNTING BOLT, M8X20X1.25P
D-007	150-03-00166-01	1	RIGHT CRANK ARM, BLACK FOR IC8
D-008	150-01-00079-01	1	CHAIN RING 44 TEETH, INCL. MOUNTING BOLTS AND MAGNET FOR IC8 AND IC7 FWS STUDIO
D-009	150-01-00021-01	1	BOTTOM BRACKET REPLACEMENT KIT FOR IC5 & IC7
D-010	150-01-00090-01	1	FENDER ASSEMBLY FOR CHAIN DRIVE FOR IC8 AND IC7 FWS STUDIO
D-011	150-01-00110-01	1	PRIMARY DRIVE CHAIN TENSIONER ASSEMBLY FOR IC8 AND FWS IC7 STUDIO
D-012	150-03-00167-01	1	LEFT CRANK ARM, BLACK FOR IC8
D-013	150-01-00106-01	1	GENERATOR ASSEMBLY FOR IC8
D-014	150-02-00017-01	1	FREEWHEEL CLUTCH 16 TEETH 1/2" X 3/16"

Electronics



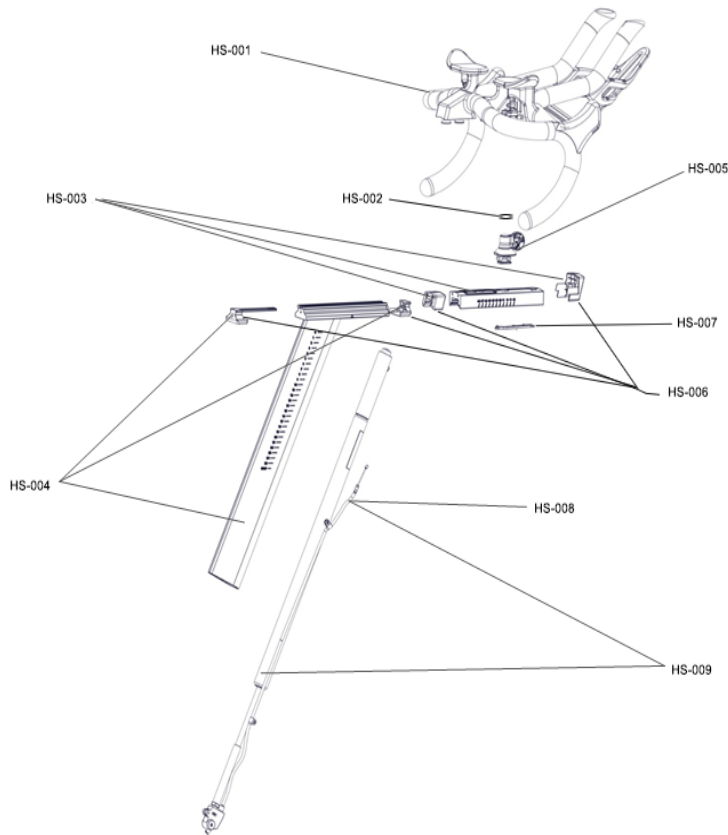
Ref #	Part Number	Qty	Description
EL-001	320-00-00016-01	1	ICG Wattrate TFT Computer REV2
EL-002	110-01-00056-01	1	CONSOLE BRACKET ASSEMBLY FOR IC8 HANDLEBAR
EL-003	170-03-00012-01	1	LIPO RECHARGABLE BATTERY 5000MAH/ 3.7V FOR IC7
EL-004	170-02-00042-01	1	POWER MODULE PCB, CONFORMAL COATED
EL-005	170-02-00016-06	1	GEAR MODULE PCB FOR IC6/7/8; 2ND GENERATION
EL-006	170-02-00018-04	1	GAMMA SENSOR PCB FOR IC8, IC7
EL-007	170-01-00016-01	1	MAIN CABLE HARNESS KIT WITH IDENTIFICATION STICKERS IC7
EL-008	170-01-00006-01	1	PHOTO INTERRUPTER PCB KIT FOR IC7
EL-009	150-01-00017-02	1	GENERATOR ASSEMBLY FOR IC7
EL-010	170-02-00008-01	1	REED SWITCH FOR IC5 & IC7
EL-011	170-01-00027-01	1	CONSOLE CABLE INCL. MOUNTING PARTS FOR IC8

Frame



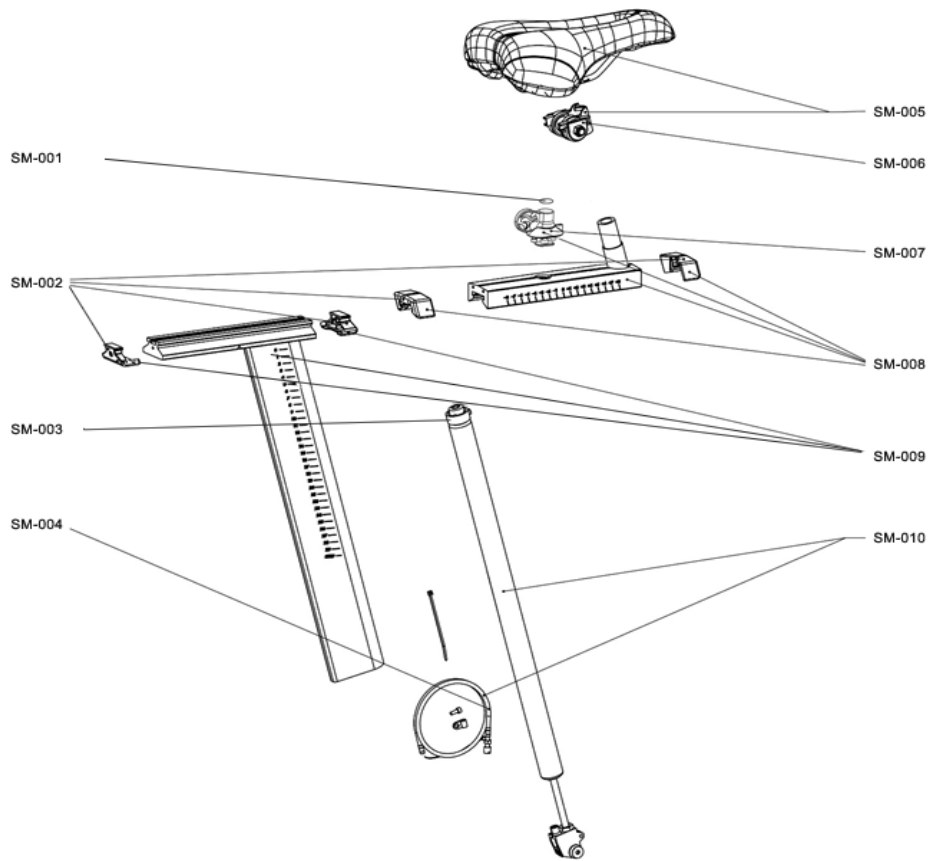
Ref #	Part Number	Qty	Description
VA-001	100-01-00006-01	1	INLAY SLEEVE SET SEATPOST TUBE FOR IC5 & IC7
VA-002	100-01-00008-01	1	VERTICAL SEATPOST ADJUST ASSEM FOR IC5 & IC7
VA-003	190-01-00011-01	1	BOWDEN CABLE VERTICAL SEATPOST ADJUST IC5 & IC7
VA-004	100-01-00009-01	1	LEFT FLYWHEEL SUPPORT ARM KIT FOR IC5 & IC7
VA-005	100-01-00004-01	1	INLAY SLEEVE SET HANDLEBAR TUBE FOR IC5 & IC7
VA-006	100-01-00007-02	1	VERTICAL HBAR ADJUST ASSEM - REINCED LEVER IC5 & IC7
VA-007	190-01-00010-01	1	BOWDEN CABLE VERTICAL HBAR ADJUST FOR IC5 & IC7

Handlebar/Stem



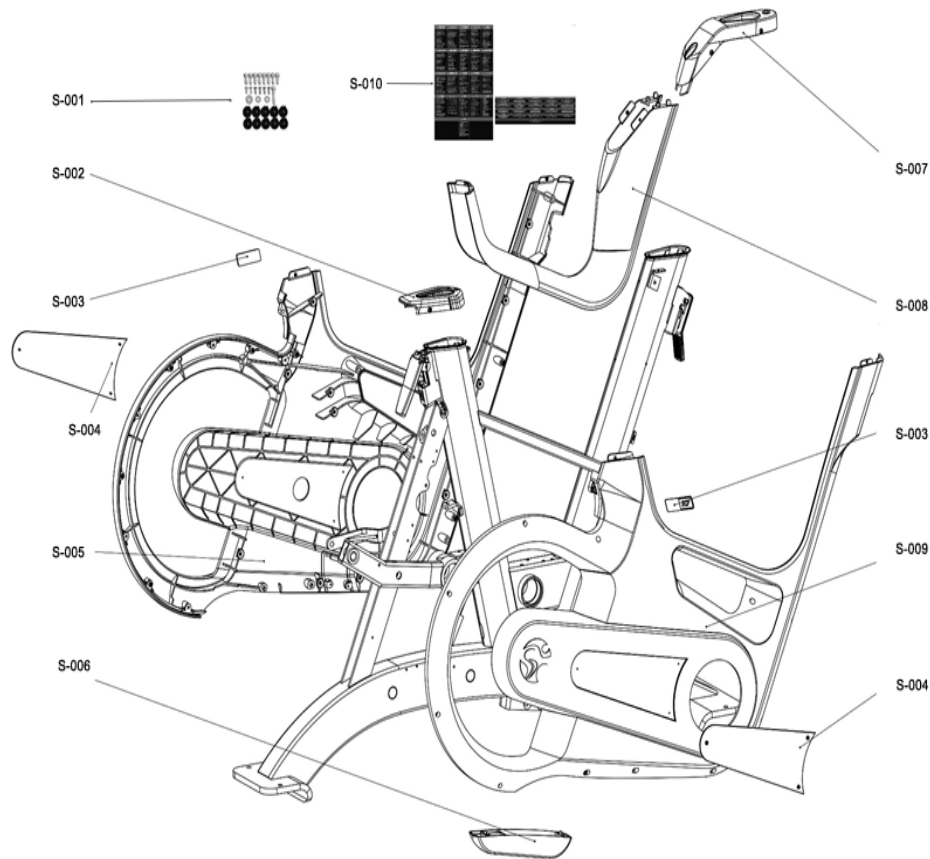
Ref #	Part Number	Qty	Description
HS-001	110-01-00037-01	1	HANDLEBAR WITH SOFT PVC COATING, CONSOLE BRACKET AND MOUNTING BOLTS FOR IC8
HS-002	190-01-00048-01	1	HANDLEBAR MOUNTING BOLTS FOR IC4/IC5/IC6/IC7
HS-003	110-01-00046-01	1	UPPER HANDLEBAR SLIDER ASSEMBLY FOR IC8 LIFEFITNESS BRANDED
HS-004	110-01-00045-01	1	LOWER HANDLEBAR STEM ASSEMBLY BLACK
HS-005	110-01-00025-01	1	THUMB LOCK HANDLE ASSEM HBAR ADJUST IC4/IC5/IC6/IC7
HS-006	190-01-00082-01	1	END CAP SET HORIZONTAL HANDLEBAR SLIDER FOR IC4/I
HS-007	110-01-00011-02	1	CABLE COVER KIT UPPER HORIZONTAL HBAR SLIDER IC5/IC6/IC7
HS-008	190-01-00010-01	1	BOWDEN CABLE VERTICAL HBAR ADJUST FOR IC5 & IC7
HS-009	180-01-00025-01	1	GASDAMPER KIT "SUSPA", HANDLEBAR, FOR IC5 & IC7

Seat Mechanism



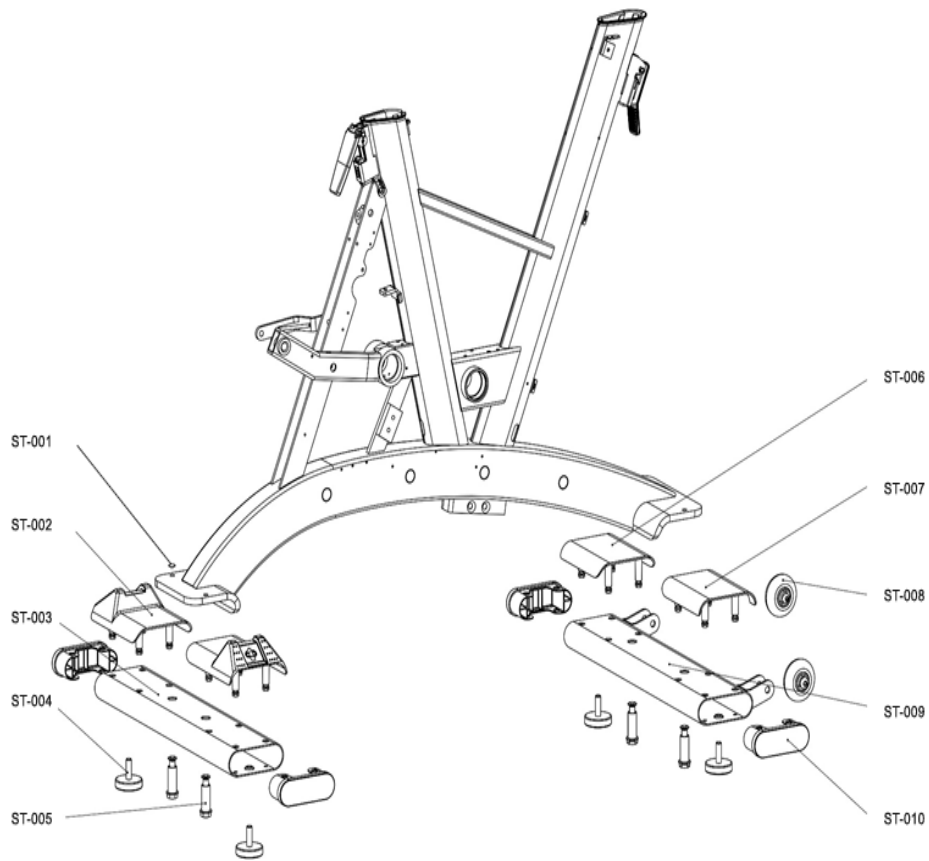
Ref #	Part Number	Qty	Description
SM-001	190-01-00046-01	1	THUMB LOCK LEVER CAP HORIZONTAL ADJUST (10 PCS) IC4/IC5/IC6/IC7
SM-002	190-01-00036-02	1	END CAP SET NARROW HORIZONTAL SEATPOST SLIDER FOR IC4 & IC5 & IC6 & IC7 & IC8
SM-003	190-01-00029-01	1	GASDAMPER ALUMINIUM ADAPTER DRUM SEATPOST IC5 & IC7
SM-004	190-01-00011-01	1	BOWDEN CABLE VERTICAL SEATPOST ADJUST IC5 & IC7
SM-005	120-01-00054-01	1	SPORT SADDLE BLACK INCL. SADDLE CLAMP WITHOUT STOPPER FOR IC8
SM-006	120-01-00017-01	1	SADDLE CLAMP WITHOUT STOPPER
SM-007	120-01-00029-01	1	THUMB LOCK HANDLE ASSEM SEATPOST ADJUST IC4/IC5/IC6/IC7
SM-008	120-01-00053-01	1	NARROW UPPER SEATPOST SLIDER ASSEMBLY BLACK
SM-009	120-01-00052-01	1	NARROW LOWER SEATPOST ASSEMBLY, BLACK
SM-010	180-01-00024-01	1	GASDAMPER KIT "SUSPA" SEATPOST, FOR IC5/IC7

Shroud



Ref #	Part Number	Qty	Description
S-001	190-01-00030-01	1	ASSEM PARTS, SHROUD, BOLTS AND GROMMETS IC5 & IC7
S-002	160-01-00009-01	1	SEATPOST TOP COVER KIT FOR IC5 & IC7
S-003	160-01-00064-01	1	DECAL IC8 - ALUMINIUM BADGE - RIGHT AND LEFT
S-004	160-01-00045-01	1	LIFEFITNESS, LOGO PLATE INSERT KIT, RIGHT AND LEFT FOR IC7
S-005	160-01-00062-01	1	LEFT SIDE MAIN SHROUD KIT INCL. RED ALUMINIUM RING FOR IC8 & IC7 REV2
S-006	160-01-00014-01	1	GAS DAMPER BRACKET COVER KIT FOR IC5 & IC7
S-007	160-01-00067-01	1	HANDLEBAR TOP COVER KIT FOR IC8
S-008	160-01-00081-01	1	TOP MAIN COVER KIT FOR IC8
S-009	160-01-00004-02	1	RIGHT SIDE MAIN SHROUD KIT INCL. ALUMINIUM RING FOR IC4/IC5/IC6
S-010	190-09-00008-01	1	WARNING LABEL SET MULTILINGUAL IC8 (FOR 1 BIKE)

Stabilizers



Ref #	Part Number	Qty	Description
ST-001	190-01-00018-01	5	STABILIZER BRACKET POP OUT COVER (5 PCS) IC3 & IC5 & IC7
ST-002	140-01-00006-01	1	REAR STABILIZER STRETCH PLATE KIT IC3 & IC5 & IC7
ST-003	140-02-00002-01	1	REAR STABILIZER TUBE FOR IC3 & IC5 & IC7
ST-004	190-01-00027-01	2	LEVELING FEET RUBBER 75 SHORE (2 PCS) IC2 & IC3 & IC5 & IC7
ST-005	190-01-00004-01	1	STABILIZER KIT (1X BOLT WASHER CAP SLEEVE) IC3 & IC5 & IC7
ST-006	140-01-00004-01	1	FRONT STABILIZER PROTECTION PLATE KIT LEFT IC3 & IC5 & IC7
ST-007	140-01-00005-01	1	FRONT STABILIZER PROTECTION PLATE KIT RIGHT IC3 & IC5 & IC7
ST-008	140-01-00003-01	1	TRANSPORTATION WHEEL ASSEM IC2 & IC3 & IC5 & IC7
ST-009	140-02-00006-01	1	FRONT STABILIZER TUBE IC5 & IC7 WIDE MOUNTING BRACKET
ST-010	140-03-00001-01	1	STABILIZER END CAP (FRONT & REAR) IC3 & IC5 & IC7

